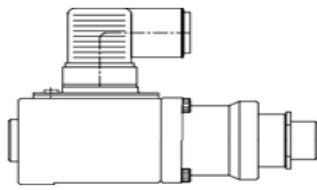


Ref. No. D 61100
Release Date: Oct 03

**PRESSURE SWITCH
(Non adjustable Differential)**



DESCRIPTION



Non adjustable differential type. Spring loaded sealed piston construction. Encapsulated design for protection against dust. Six pressure ranges available, which can be adjustable up to 10, 50, 100, 200, 350 and 420 bar. Transparent plug-in connector is available with LED

TECHNICAL SPECIFICATIONS

Construction.....	Spring loaded sealed piston type.
Mounting style.....	Sub plate mounting.
Interface.....	Factory standard.
Mounting position.....	Optional. (Pr. sensing port facing downward preferred)
Hydraulic medium.....	Mineral oil.
Viscosity ranges.....	10 cSt to 380 cSt.
Fluid temperature range.....	-20°C to +70 °C.
Oil cleanliness requirement.....	As per ISO 16/13.
Maximum Operating Pressure.....	Refer pressure setting table
Pressure ranges available.....	Adjustable up to 10, 50, 100, 200, 350 and 420 bar.
Switching pressure differential.....	Refer graph.
Switching frequency.....	120 / min.
Switching accuracy.....	< ± 1 %
Life.....	1 million cycles min.
Electrical rating.....	250 VAC 5.0 A 50 VAC 1.0 A 250 VDC 0.2 A
Electrical connection.....	Plug - in connector conforms to DIN 43650, ISO 4400. Transparent plug in connector with LED, which gives indication when pressure in the line is above the set pressure. 230 VAC 5 A, 24 VDC 1 A max.
Mass.....	Pressure switch — 0.95 kg.
Sub plate.....	0.13 kg.

	Model	Increasing pr.		Decreasing pr.		Operating Max. pr.
		Min.	Max.	Min.	Max.	
Pressure settings (bar)	HP * 10	4	10	2.5	7	100
	HP * 50	8	50	5	44	420
	HP * 100	14	100	10	90	420
	HP * 200	20	200	15	185	420
	HP * 350	25	350	20	330	420
	HP * 420	28	420	22	390	420

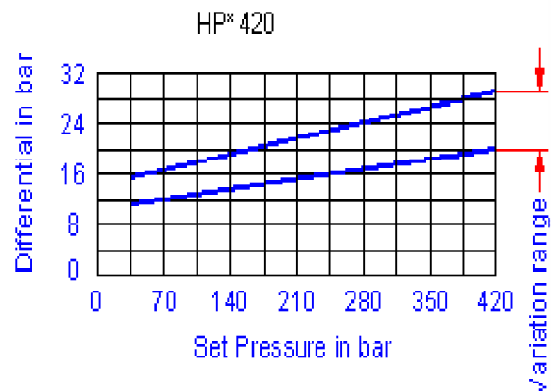
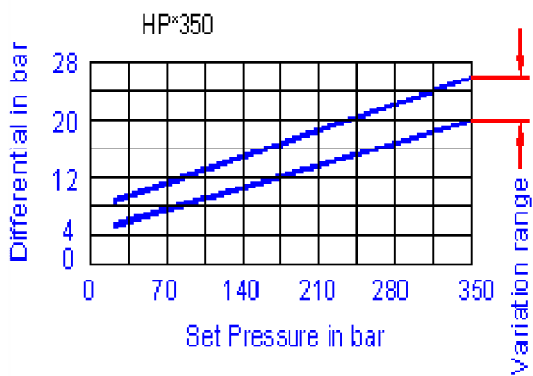
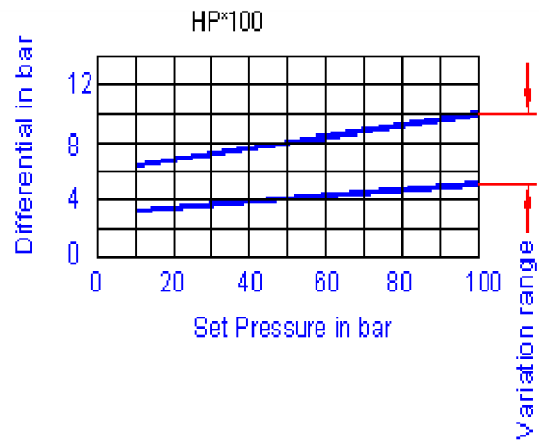
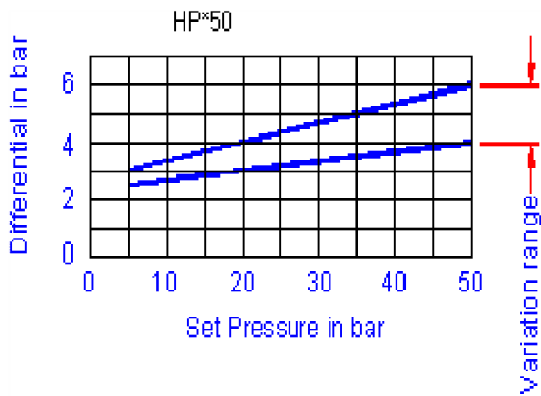
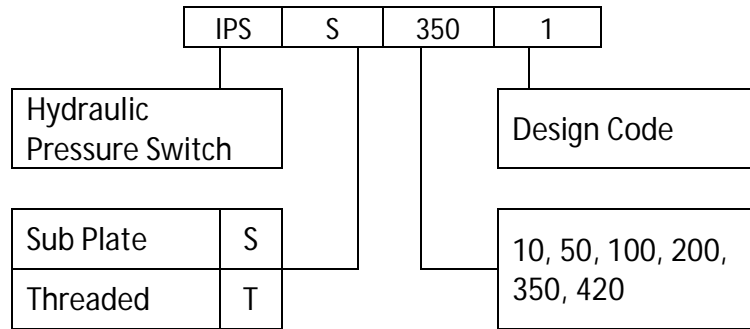
Valse Fluid Power Private Limited

Works:
Industrial Estate, Sagar Road,
Shimoga, Karnataka- 577204 (INDIA)

Design Center:
Industrial Estate, Udyambag
BELGAUM – 590 008 (INDIA)

Call / Whatsapp: +91 984 592 6984
Email: Sales@valsehydraulics.com
Website: www.valsehydraulics.com

ORDERING CODE



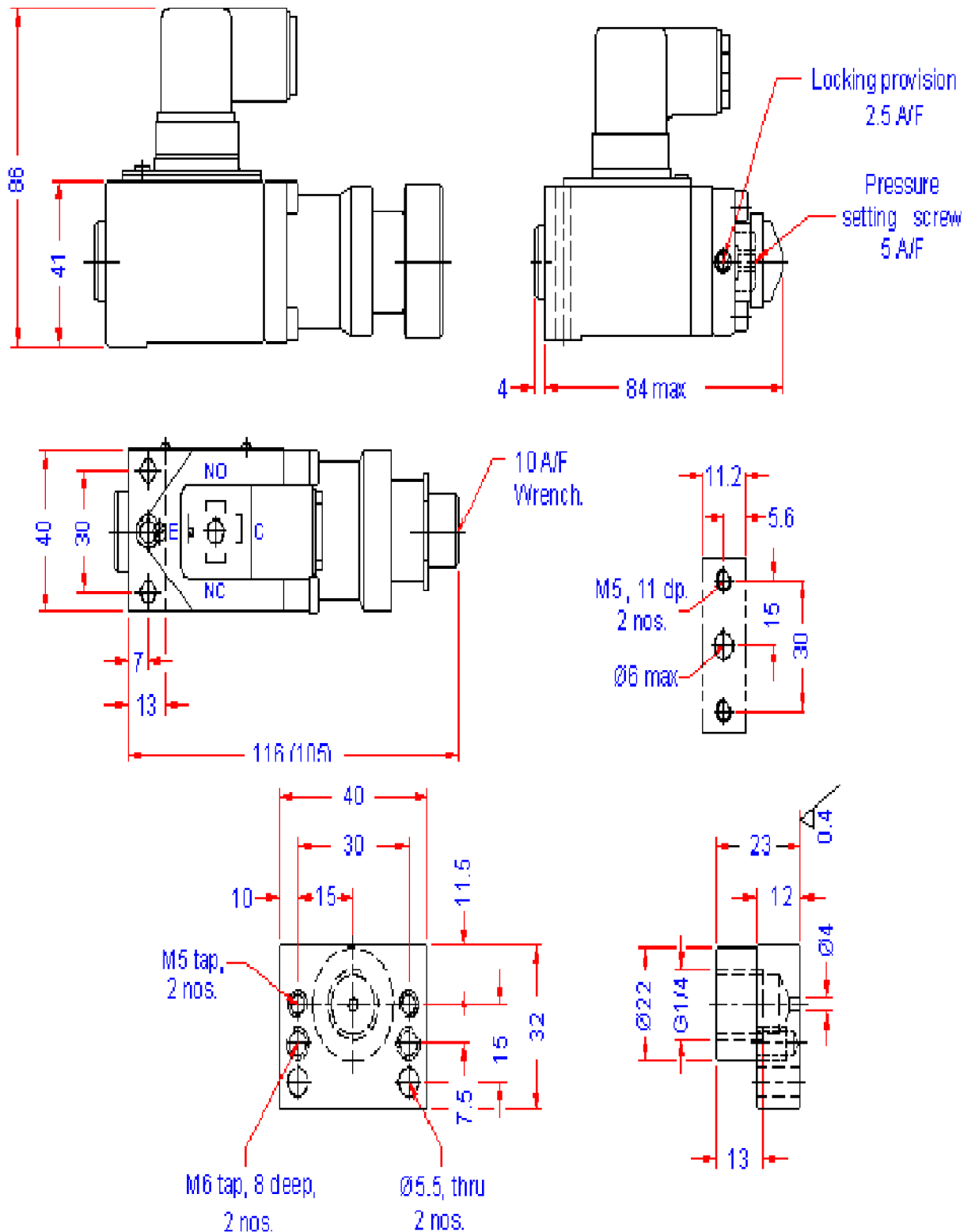
Valse Fluid Power Private Limited

Works:
Industrial Estate, Sagar Road,
Shimoga, Karnataka- 577204 (INDIA)

Design Center:
Industrial Estate, Udyambag
BELGAUM – 590 008 (INDIA)

Call / Whatsapp: +91 984 592 6984
Email: Sales@valsehydraulics.com
Website: www.valsehydraulics.com

UNIT DIMENSIONS



Valse Fluid Power Private Limited

Works:
Industrial Estate, Sagar Road,
Shimoga, Karnataka- 577204 (INDIA)

Design Center:
Industrial Estate, Udyambag
BELGAUM – 590 008 (INDIA)

Call / Whatsapp: +91 984 592 6984
Email: Sales@valsehydraulics.com
Website: www.valsehydraulics.com